

THE SABER LIGHT

ATD-80028

15 Watt Long Light w/50' Cord

Owner's Manual

Features And Specifications:

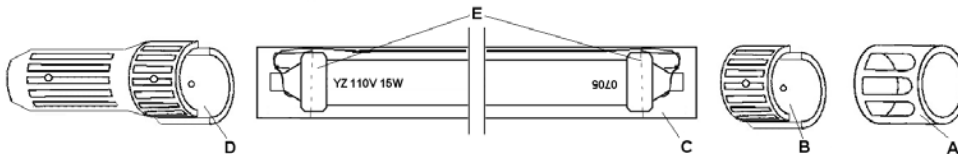
- 15W super bright fluorescent bulb provides 90 Lux brightness
- 50 ft 18/2 SJT cord remains flexible in cold weather.
- Drop resistant with high impact Lexan lens
- Rubber bumpers provide extra drop protection
- Includes 360° flexible ratcheting hook

Operating instructions

Simply plug into any 120 VAC outlet and turn on by pressing top of switch. To turn off, depress bottom of switch.

To Change Bulb:

- Unplug unit from power supply
- Remove end bumper(A) and unscrew end cap(B). Pull halves apart to remove cap.
- Remove rubber handle protector and unscrew handle (D) in two places. Pull halves apart to remove.
- Slide Clear tube (C) from around bulb.
- Unplug each end of bulb and replace with a new bulb.
- Assembly is the reverse of disassembly. Make sure to align holes in white bulb protector/plugs with the posts in the end bumper and in the handle assembly so that the halves will snap together before you tighten screws.

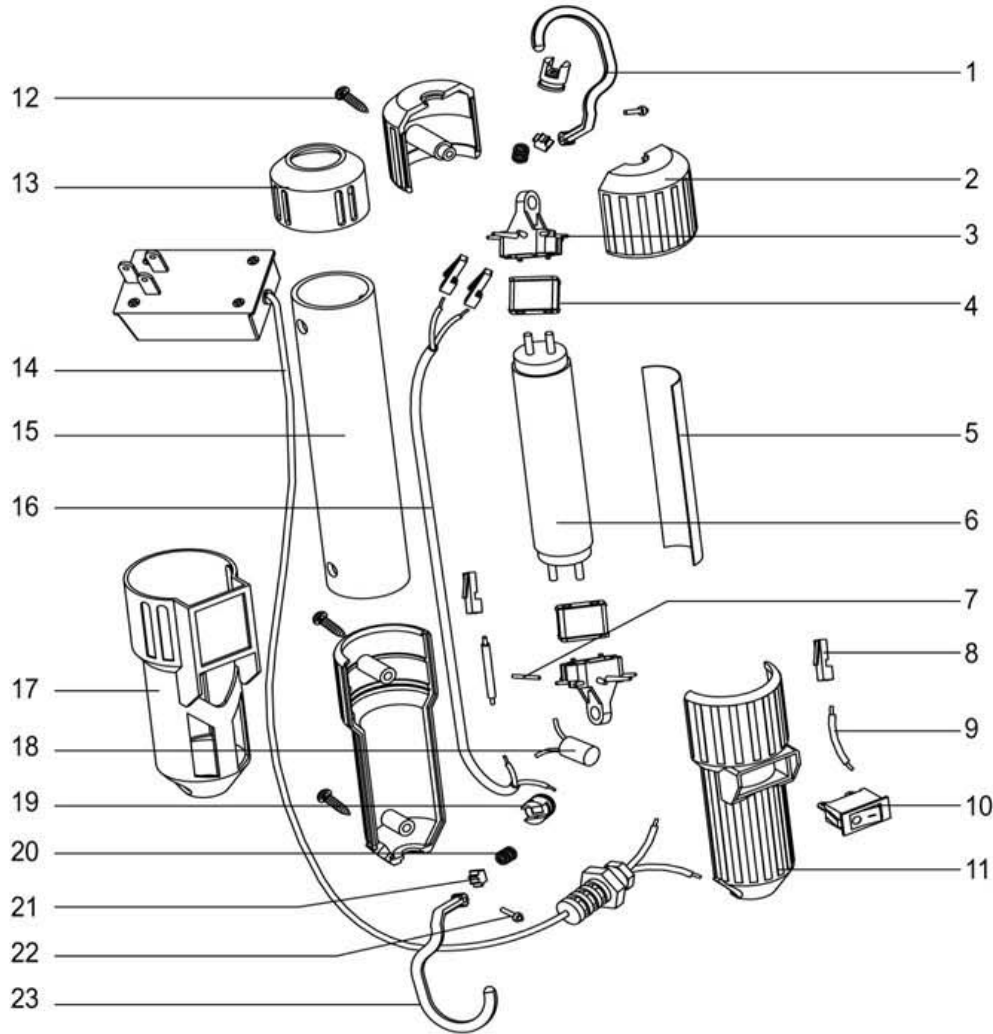


Cautions

- **Do NOT service this light while it is plugged in.** It may cause electrical shock
- **Do NOT submerge in water.** – It may cause electrical shock and/or fires. To clean, wipe with damp cloth only, do not use solvents, and clean only when the unit is unplugged from power source.
- **Do NOT use this lamp in explosive atmosphere** - Near flammable liquids or where explosion proof lamps are required.
- The warnings, cautions, and instructions discussed in this instruction manual cannot cover all possible conditions and situations that may occur. It must be understood by the operator that common sense and caution are factors which cannot be built into this product, but must be supplied by the operator.

ATD

ATD-80028



| ITEM# | ORDERING PART# | PART DESCRIPTION |
|-------|----------------|----------------------|
| 1 | PRT80027-01 | HOOK, UPPER |
| 2 | PRT80027-02 | CAP, CLEAR TUBE |
| 3 | PRT80027-03 | SUPPORT, LAMP HOLDER |
| 4 | PRT80027-04 | LAMP HOLDER |
| 5 | PRT80027-05 | REFLECTOR |
| 6 | EIK15T8/D | TUBE, 15W |
| 7 | PRT80027-07 | PIN |
| 8 | PRT80027-08 | TERMINAL |
| 9 | PRT80027-09 | CONNECTING WIRE |
| 10 | PRT80027-10 | SWITCH |
| 11 | PRT80027-11 | HANDLE |
| 12 | PRT80027-12 | SCREW |

| ITEM# | ORDERING PART# | PART DESCRIPTION |
|-------|----------------|------------------|
| 13 | PRT80027-13 | SLEEVE, CAP |
| 14 | PRT80028-14 | POWER CORD, 50' |
| 15 | PRT80027-15 | CLEAR TUBE |
| 16 | PRT80027-16 | CONNECTING WIRE |
| 17 | PRT80027-17 | HANDLE SLEEVE |
| 18 | PRT80027-18 | STARTER |
| 19 | PRT80027-19 | HOOK HOLDER |
| 20 | PRT80027-20 | SPRING |
| 21 | PRT80027-21 | PROP |
| 22 | PRT80027-22 | RIVET |
| 23 | PRT80027-23 | HOOK LOWER |